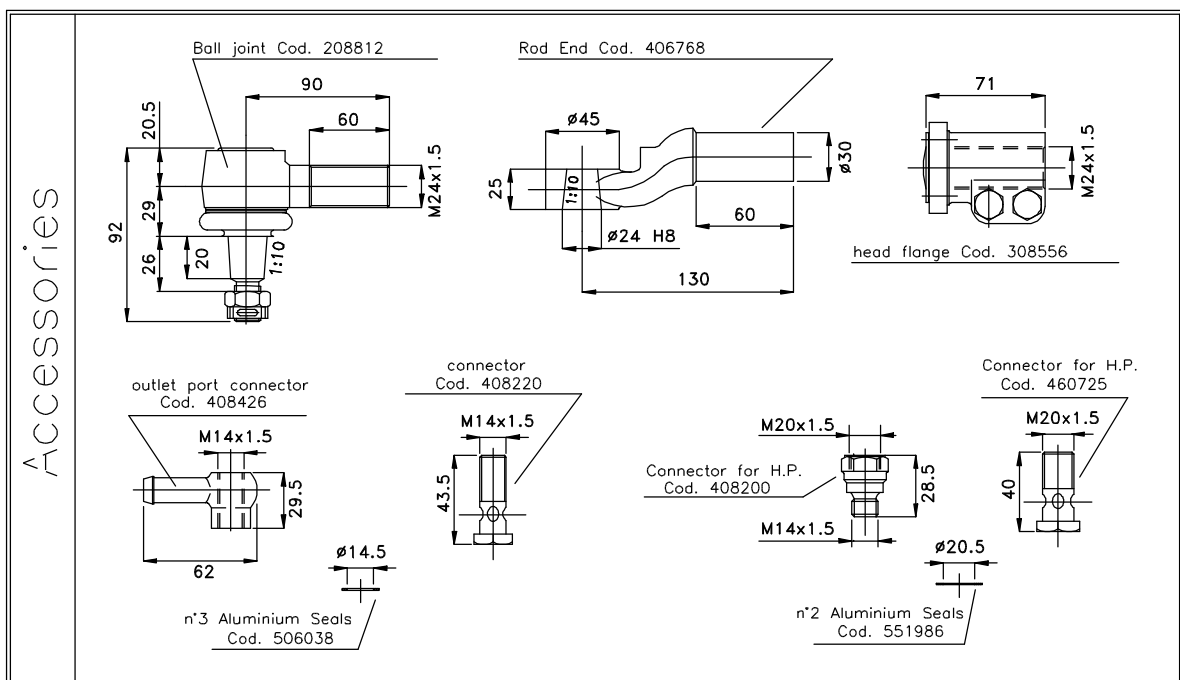
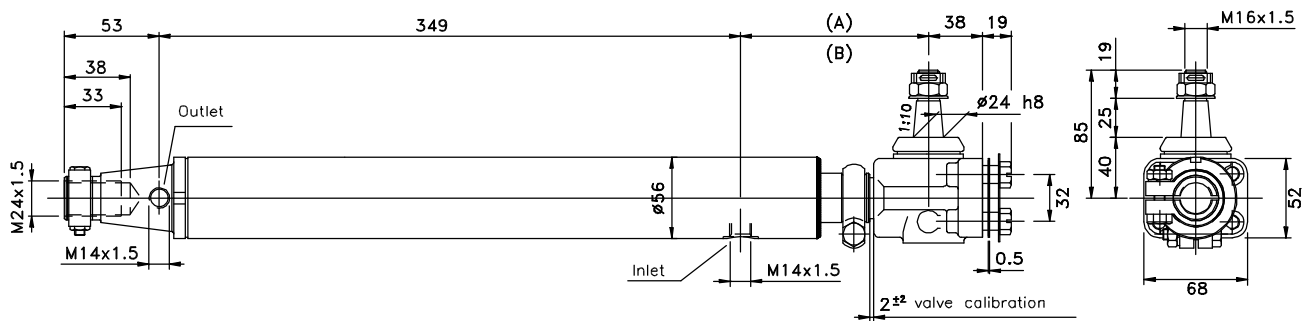




RAM STEERING

- Mod. T.35/27 -

R.C.D. s.r.l.
Via Parini, 9
40069 Zola Predosa
Bologna - Italia
Tel. (+39) 0516186111
Fax (+39) 0516186188
E-Mail: rcd@rcd.it



TECHNICAL DATA

| rcd [®] CODE | TYPE | Max Stroke (mm.) | (A) Closed (mm.) | (B) Extended (mm.) | Active Surface both direction (cm. ²) | Force at 100 bar | Note |
|--------------------------|-----------|---------------------|------------------------|--------------------------|---|---------------------|------------------|
| 208760 | T35/27-SR | 270 | 105 | 375 | 8.5 | Kg. 850 | Without Reaction |
| 208767 | T35/27-R | 270 | 105 | 375 | 8.5 | Kg. 850 | With Reaction |

Suggestions for assembling.

The application of the RAM STEERING shall be completed by using the correct pump, or by installing a mass flow control device in the hydraulic circuit. Pipelines, connectors and other mechanicals items are also required.

The components illustrated in "ACCESSORIES" allows the cylinder to be READY-TO-USE.

NOTE: The reaction device guarantee a proportional answer, opposite to the steering input: this force is proportional to the instantly working pressure inside the cylinder.
This system is made to increase the drive feeling.

RCD s.r.l. Warning: technical data are not complete and they may change, please contact RCD for the drawings.